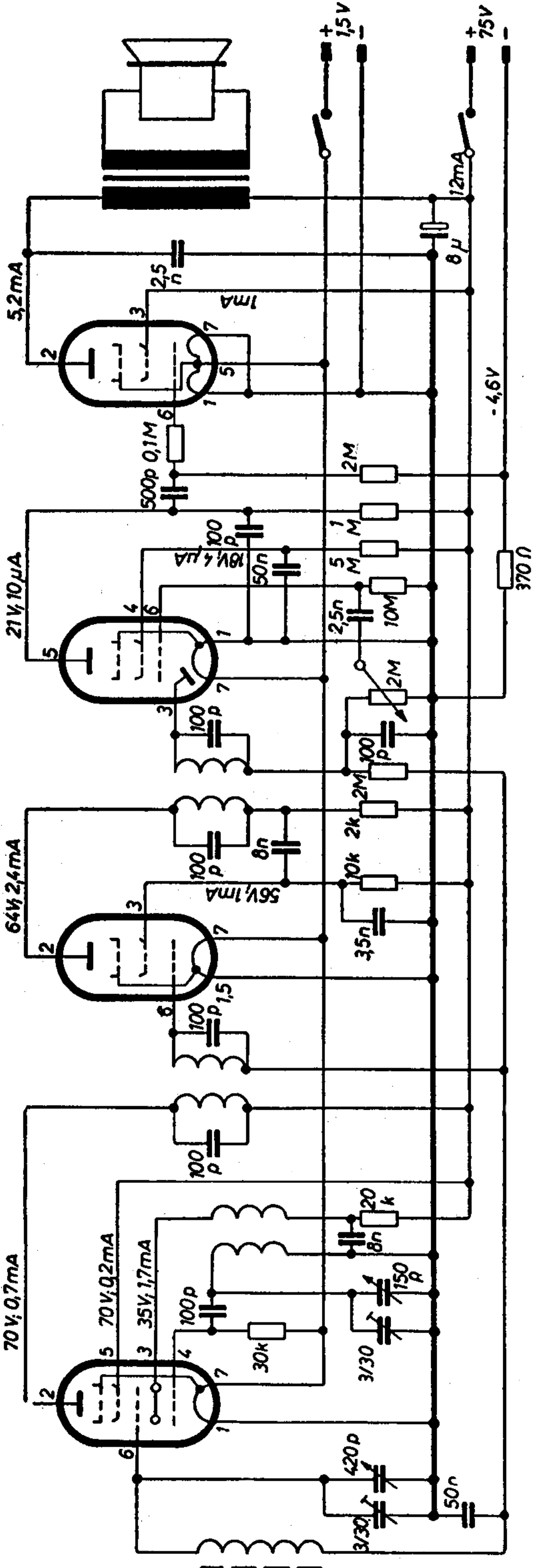


DK92(DK91/1R5)

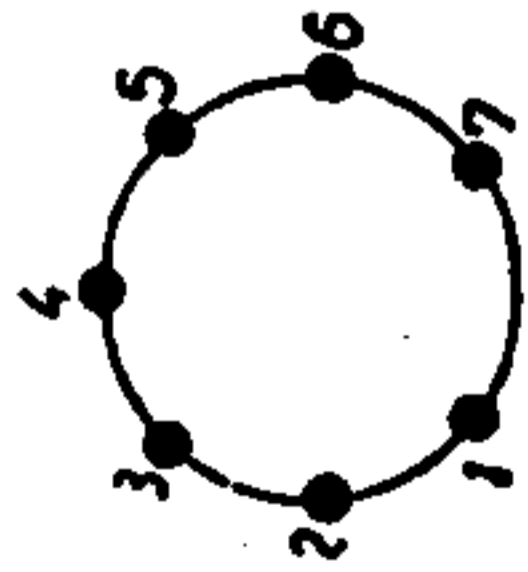
DF91/1T4

DAF91/1S5

DL94/3V4



ZF = 468 KHZ



(V) 0.33 Ω/V